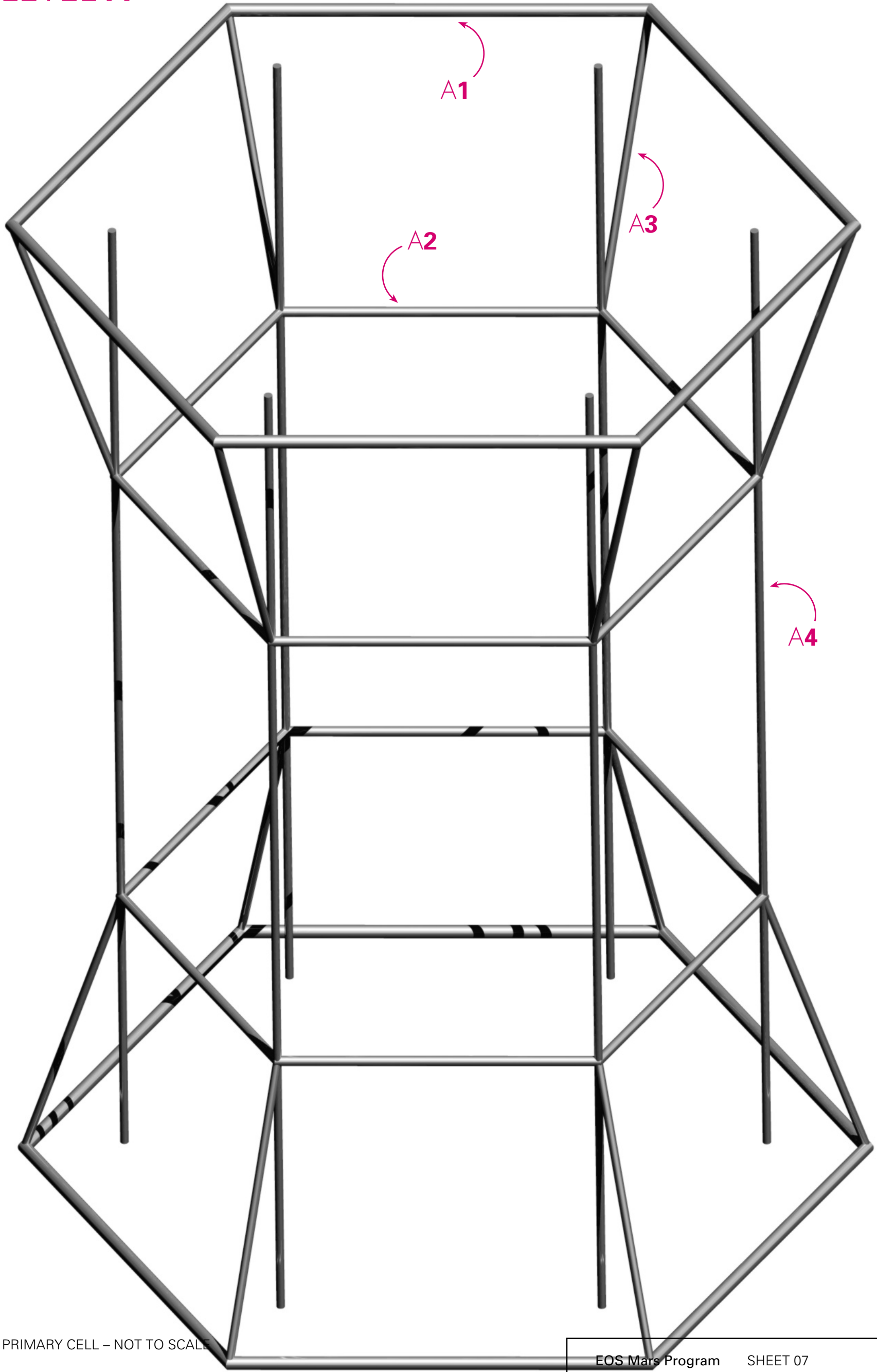


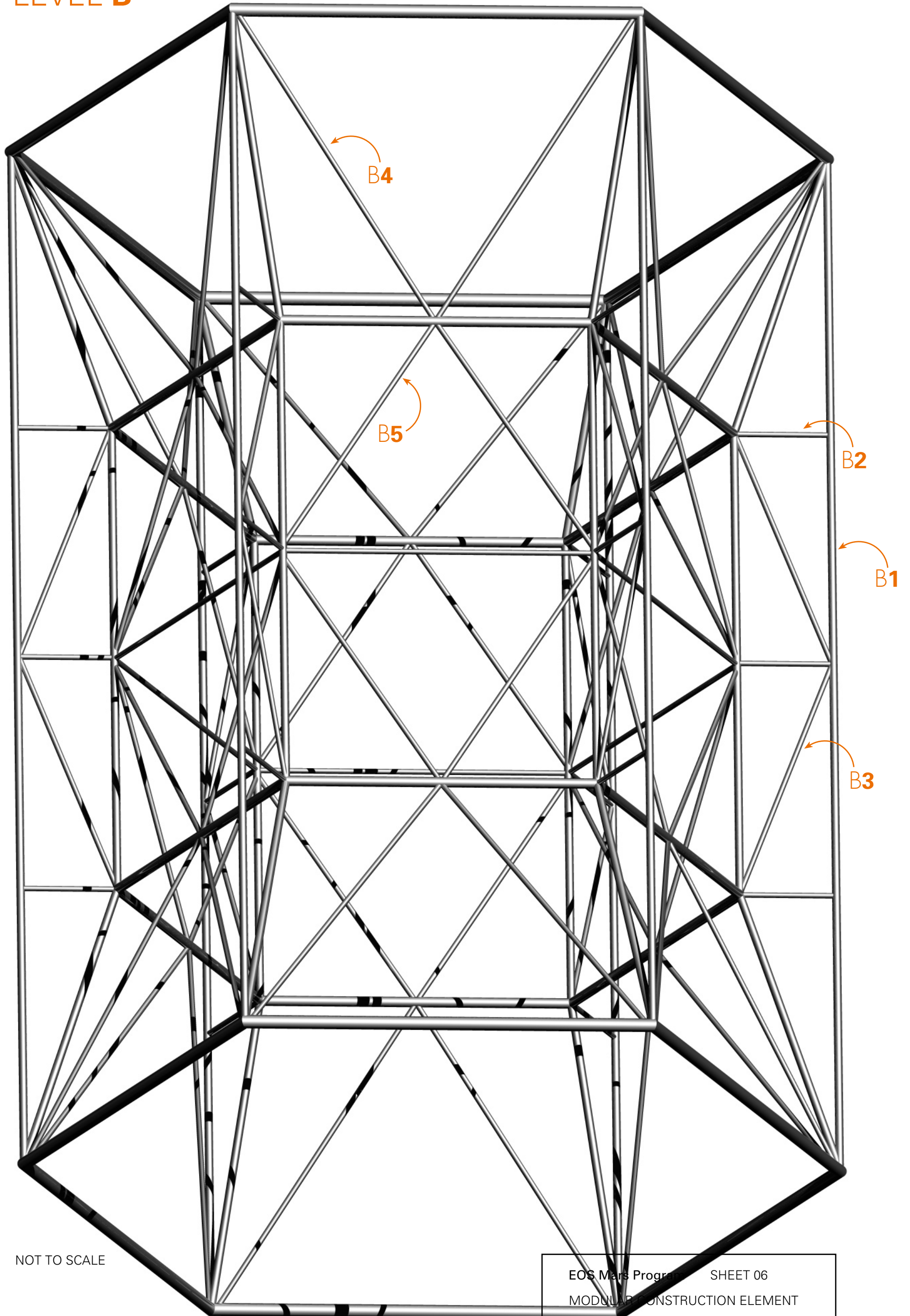
# LEVEL A



PRIMARY CELL - NOT TO SCALE

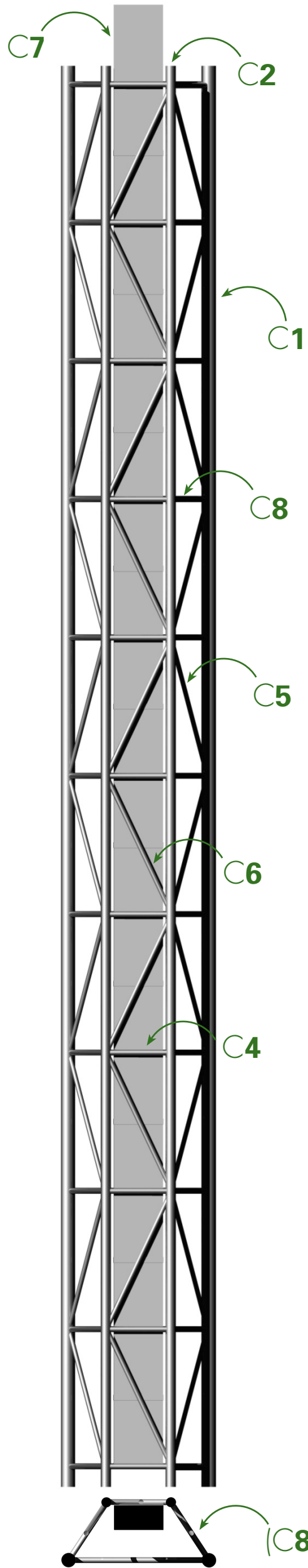
EOS Mars Program SHEET 07  
MODULAR CONSTRUCTION ELEMENT  
© Jan Kaliciak 30 November 2009

# LEVEL B

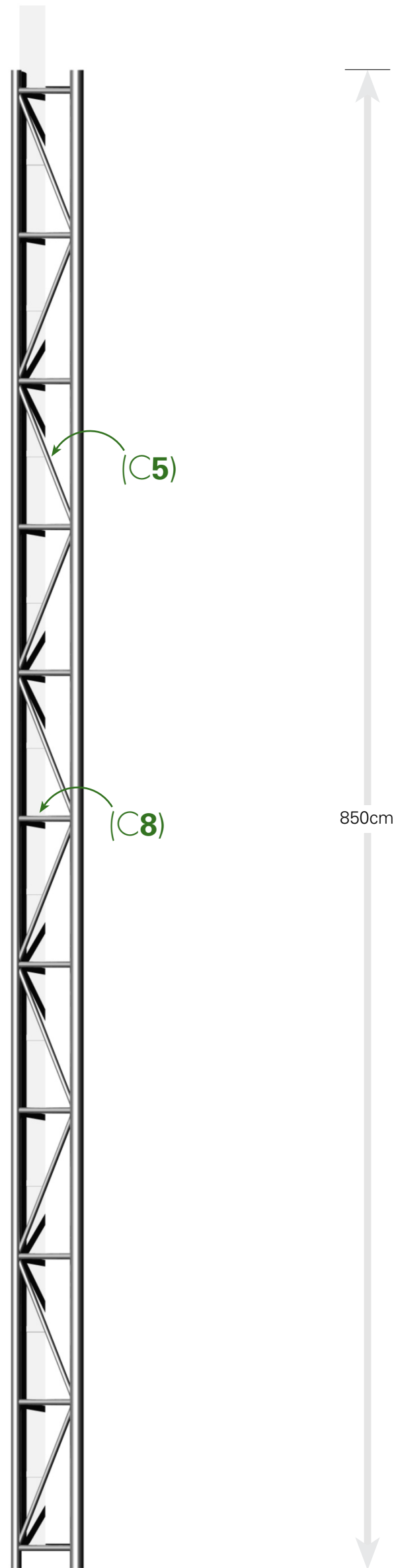


NOT TO SCALE

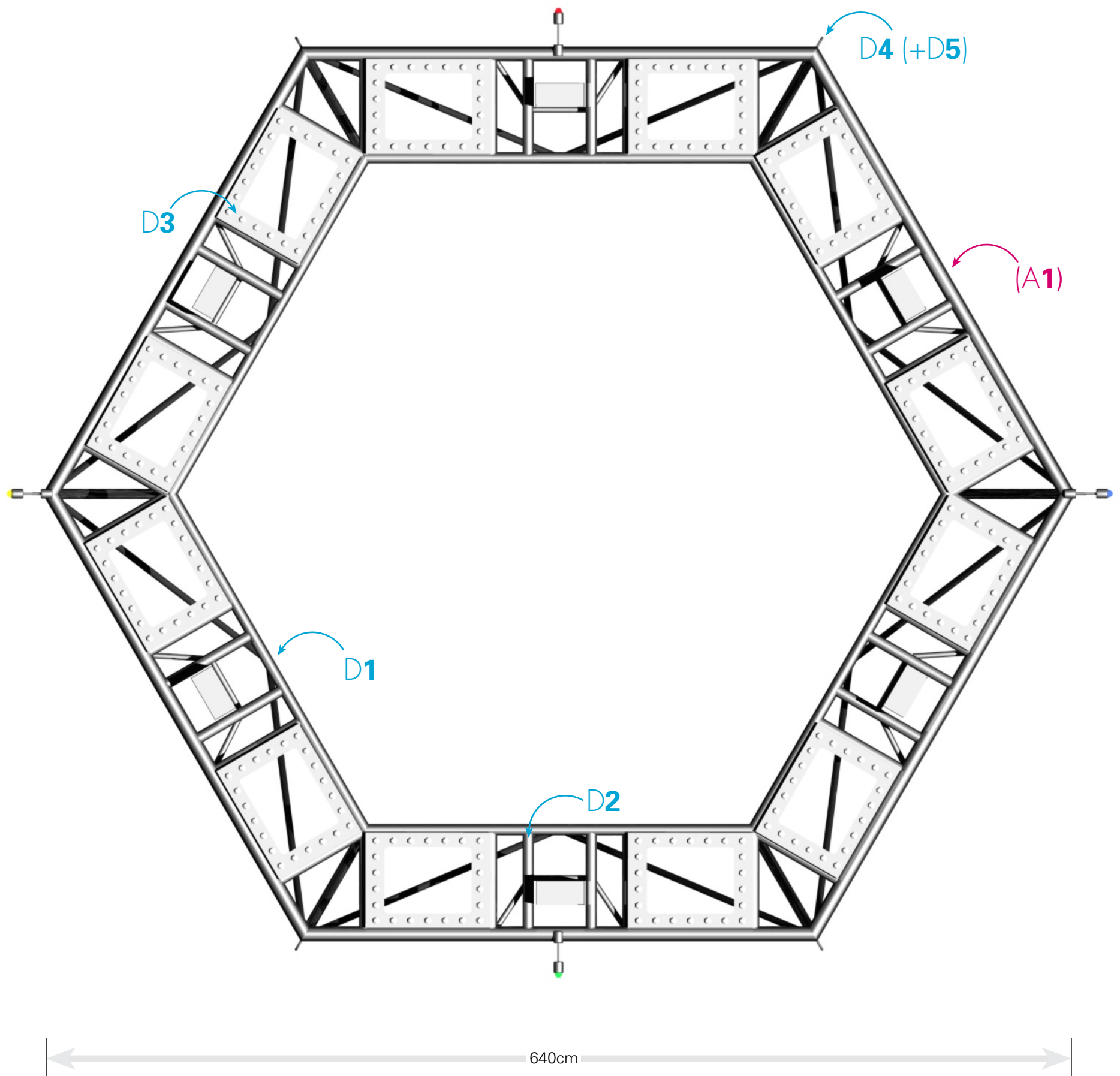
# LEVEL C



INNER TRUSS



# LEVEL D



HEXAGON END FACE

EOS Mars Program SHEET 04  
MODULAR CONSTRUCTION ELEMENT  
© Jan Kaliciak 30 November 2009

HEXAGONAL CONSTRUCTION MODULE		EOS Mars Program		© Jan Kaliciak 30 November 2009					
LEVEL	Component ID	Length (cm)	Tube Diameter (cm)	Wall Thickness (mm)	Grammes/100 cm	Weight (g)	Unit Quantity	Total Quantity	Total Weight (g)
A	A1	322	12	5	2490	8017.8	12	12	96213.60
	A2	236	9	4	1490	3516.4	12	12	42196.80
	A3	242	9	4	1490	3605.8	12	12	237982.80
	A4	850	9	4	1490	12665	6	6	835890.00
B	B1	850	9	4	1490	12665	6	6	759900.00
	B2	67	6	3	744	498.48	18	18	65799.36
	B3	200	6	3	744	1488	12	12	0.00
	B4	270	6	3	744	2008.8	24	24	24105.60
	B5	216	6	3	744	1607.04	24	24	115706.88
C	C1	850	9	4	1490	12665	2	12	151980.00
	C2	850	6	3	744	6324	2	12	75888.00
	C3	76	5	2.5	510	387.6	11	66	25581.60
	C4	33	5	2.5	510	168.3	11	66	11107.80
	C5	86	3	2	245	210.7	20	120	25284.00
	C6	82	3	2	245	200.9	10	60	12054.00
	C7	850	30 x 10	1	1077	9154.5	1	6	54927.00
	C8	34	3	2	245	83.3	22	132	10995.60
D	D1	240	9	4	1490	3576	6	12	42912.00
	D2	58	9	4	1490	864.2	36	72	62222.40
	D3	82 x 60	Plate	9	-	65130	12	24	1563120.00
	D4	850	2	-	848.23	7209.955	6	6	43259.73
	D5	10	2	-	848.23	84.823	44	44	3732.21
Components:							758	4260859.38	
							Kg:		4260.86
							Tonne:		4.26